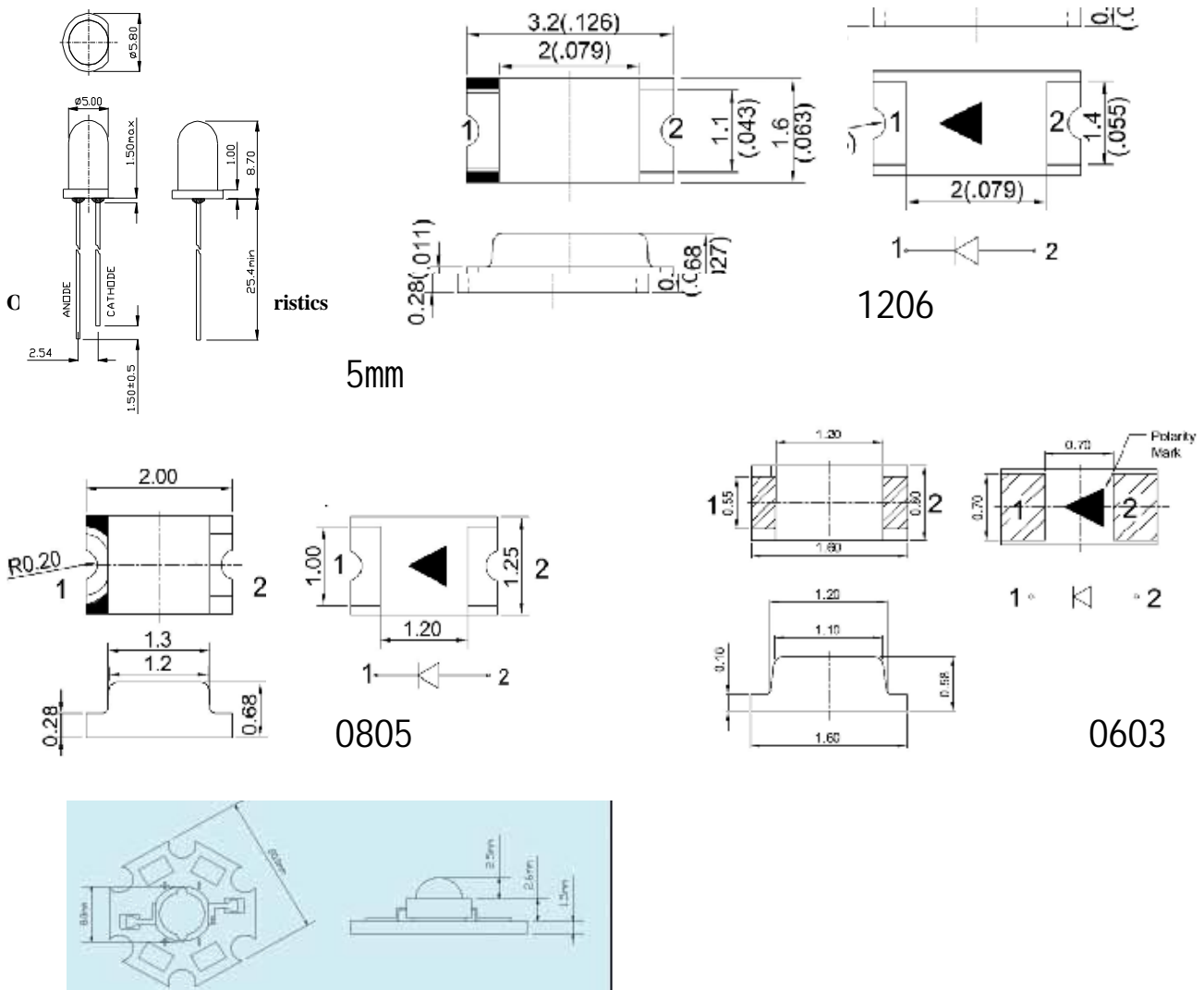


Typical Electrical-Optical Characteristics at Ta = 25°C, IF=20mA

Part No.	Forward Current(mA)	Power dissipation(W)	Package Type	Dominant Wavelength (nm)	Luminous Intensity		Forward Voltage(V)	
					Min.	Typ.	Typ.	Max.
RC-L504PCA0-XX	20		5MM	360-420	50	120	3.0	3.8
RC-S2012PCX-XX	20		0805	400-410	10	30	3.0	3.8
RC-S3216PCX-XX	20		1206	400-410	10	30	3.0	3.8
RC-S1608PCX-XX	20		0603	400-410	10	30	3.0	3.8
RC-P1PCX-XX	350	1	Power	380-410	100	200	3.0	3.8

Outline Dimension(mm)



1w Power