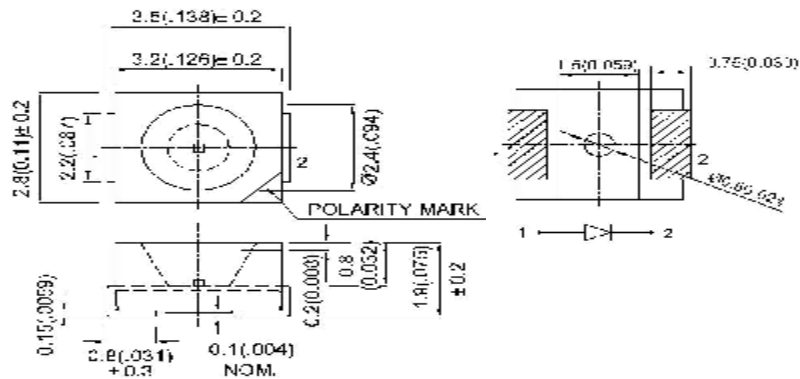


Typical Electrical-Optical Characteristics at Ta = 25°C, IF=20mA

Part No.	Size	Viewing Angle(deg)	Package Type	Emitting Color	Dominant Wavelength (nm)	Luminous Intensity (mcd)		Forward Voltage(V)		Package
						Min.	Typ.	Typ.	Max.	
RC-S3528RC-XX	3.5*2.8*1.9mm	120	TOP	Red	630-645	100	500	2.0	2.4	2000
RC-S3528YC-XX	3.5*2.8*1.9mm	120	TOP	Yellow	580-595	100	600	2.0	2.4	2000
RC-S3528GC-XX	3.5*2.8*1.9mm	120	TOP	Green	510-530	600	900	3.2	3.4	2000
RC-S3528BC-XX	3.5*2.8*1.9mm	120	TOP	Blue	450-480	150	250	3.2	3.4	2000
RC-S3528WC-XX	3.5*2.8*1.9mm	120	TOP	White		700	1250	3.2	3.4	2000
RC-S3528RGC-XX	3.5*2.8*1.9mm	120	TOP	Red	630-645	100	500	2.0	2.4	2000
				Green	510-530	600	900	3.2	3.4	2000
				Blue	450-480	150	250	3.2	3.4	2000

Outline Dimension(mm)



Optical-Electrical Characteristics

